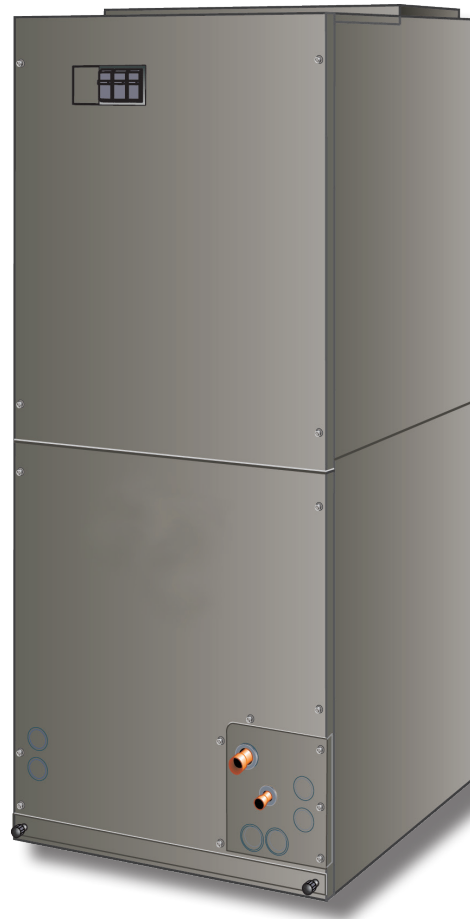


PRODUCT SPECIFICATIONS

BCE7E

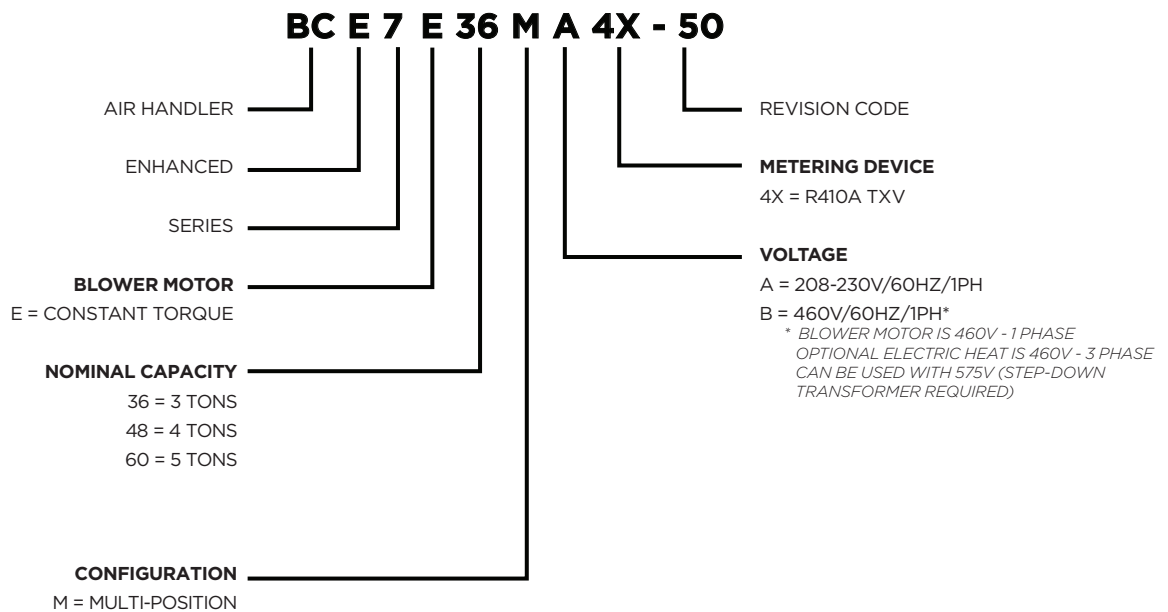
R-410A - Upflow / Horizontal
High Efficiency Blower Motor

BCE7E-100 (08-2020)



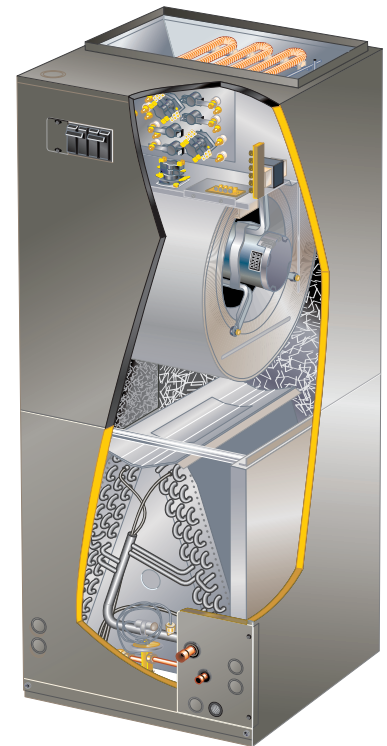
Nominal Capacity - 1.5 to 5 Tons
Optional Electric Heat - 5 to 20 kW

MODEL NUMBER IDENTIFICATION



To place a order please use model# highlighted in yellow

Model Order Number for PO	Model Nomenclature	Model Description
1.913029	BCE7E36MA4X	3 Ton Commercial Condenser 208/230v 3 Phase
1.913031	BCE7E48MA4X	4 Ton Commercial Condenser 208/230v 3 Phase
1.913032	BCE7E60MA4X	5 Ton Commercial Condenser 208/230v 3 Phase
1.913025	BCE7E36MB4X	3 Ton Commercial Condenser 460v 3 Phase
1.913026	BCE7E48MB4X	4 Ton Commercial Condenser 460v 3 Phase
1.913027	BCE7E60MB4X	5 Ton Commercial Condenser 460v 3 Phase



FEATURES

WARRANTY

See full warranty at www.alliedair.com for terms, conditions, and exclusions.

APPROVALS

Tested with matching air conditioners and heat pump units in the environmental test room in accordance with AHRI Standard 210/240.

Optional electric heaters are rated in accordance with US Department of Energy (DOE) test procedures and Federal Trade Commission (FTC) labeling regulations.

Blower performance data according to unit tests conducted in the air test chamber.

Air handlers are UL Listed to US and Canadian safety standards and components within are bonded for grounding to meet safety standards for servicing required by CEC and NEC.

Air handler units are approved for installation in manufactured housing and mobile homes.

ISO 9001 Registered Manufacturing Quality System.

APPLICATIONS

1.5 to 5 ton nominal sizes.

Upflow or horizontal applications. Downflow applications with optional conversion kit.

Wide-range check and expansion valve is factory installed.

See bulletins in section Air Conditioners for cooling capacities.

See bulletins in section Heat Pump Outdoor Units for cooling and heating capacities.

Optional field installed electric heaters available in several sizes for additive heating capacity.

REFRIGERANT SYSTEM

Omniguard™ enhanced aluminum alloy tube/ enhanced fin coil for superior corrosion resistance.

Internally designed and fabricated coils.

Aluminum tubing, hairpins, distributor and header tubes.

Ripple-edged aluminum fins.

Twin coil construction assembled in a “A” configuration for large surface area.

Provides excellent heat transfer and low air resistance for maximum efficiency.

Precise circuiting for uniform refrigerant distribution.

Lanced fins provide maximum exposure of fin surface to air stream.

Rifled tubing provides superior heat transfer.

Coil thoroughly factory tested under high pressure to ensure leakproof construction.

Refrigerant Line Connections

Copper refrigerant sweat connections on both liquid and suction lines for easy brazing.

Lines extend outside of the cabinet for ease of connection.

See dimension drawings for locations.

Check and Expansion Valve Furnished

For use with R-410A systems.

Wide range valve with Chatleff style fitting.

Factory installed on all models, internal to cabinet.

FEATURES

BLOWER

Constant Torque Blower Motor

Programmable high efficiency multi-speed blower motor. By maintaining constant torque output, blower motor can deliver more uniform (but not constant) airflow over the static pressure range.

Programmable multi-speed operation is achieved by the use of an ECM (Electronically Commutated Motor) motor.

Leadless blower motor features simple plug-in connections.

Choice of blower speeds is available. See Blower Data tables.

Blower speed change is easily accomplished by a simple wiring change.

Blower Assembly

Designed and built, direct drive blower.

Each blower is statically and dynamically balanced as an assembly before installation in the unit.

Blower motor is resiliently mounted to blower assembly.

Blower slides out of cabinet for servicing.

CABINET

Constructed of heavy-gauge galvanized steel.

Completely insulated with thick fiberglass insulation.

Pre-painted steel cabinets have mildly textured enamel finish with primer coat on unpainted side of all panels.

Units are shipped in one piece but may be disassembled into two separate sections for ease of installation in tight applications. See dimension drawings.

Thick rubber gasket between sections of the two piece cabinets provides an air tight seal.

No external screw heads on sides of cabinet for tight installations without damage to walls or woodwork.

Removable panels provide complete service access.

Electrical inlets provided in sides and top of cabinet.

See dimension drawings for locations.

Low Leakage Cabinet

All models have less than 2% air leakage and meet ANSI/ASHRAE Standard 193-2010 "Method of Test for Determining the Air Tightness of HVAC Equipment".

Upflow/Horizontal Capability (Optional Downflow)

Shipped for upflow and horizontal right-hand discharge.

May be field converted to horizontal left-hand air discharge by repositioning horizontal drain pan.

Optional downflow kit available for field conversion.

Dual Position Drain Pans

Drain pans designed for upflow, downflow or horizontal applications.

Deep, corrosion resistant plastic drain pans have dual pipe drains.

See dimension drawings.

FEATURES

OPTIONAL ACCESSORIES

Downflow Combustible Flooring Floor Base

Base is required for models with electric heat installed in downflow position on combustible floors.

Downflow Conversion Kit

Required for field conversion to downflow position. Kit consists of drip shields and 2 brackets for repositioning coil and drain pan. See Specifications table.

Horizontal Support Frame Kit

Provides support of unit in horizontal applications.

Consists of (2) 1 x 1-1/2 x 32-5/8 in. and (2) 1 x 3 x 53-7/8 in. painted heavy gauge cold rolled steel support channels with assembly and suspending holes.

Bolts and nuts furnished for field assembly.

Suspending rods must be field provided.

Side Return Unit Stand (Upflow Only)

Raises unit 16 in. above floor for side return air duct connection.

Eliminates need for wooden platform construction.

All aluminum construction.

Two adjustable frames fit -018/024 thru -060 models.

Wall Hanging Bracket Kit (Upflow Only)

Allows unit to be hung on wall at any height.

Consists of heavy-gauge steel support brackets (one for air handler, one for wall mount).

Screws furnished for fastening one bracket to unit.

Bolts for fastening one bracket to wall are field provided.

CONTROLS

Transformer and Blower Cooling Relay

24 volt transformer with in-line fuse.

Blower cooling relay (460V units only).

Factory installed in the unit control box.

Terminal strip furnished.

OPTIONAL ELECTRIC HEAT

Field install internal to unit cabinet.

Available in several voltages and kW sizes. See Electric Heat tables.

Helix wound nichrome heating elements exposed directly in air stream resulting in instant heat transfer, low element temperatures and long service life.

Each element equipped with accurately located limit control with fixed temperature off setting and automatic reset.

Supplemental thermal cutoff limit control, provides positive protection in case of excessive temperatures.

Thermal sequencer relay brings elements on and off line, in sequence and equal increments, with time delay between each.

Initiates and terminates blower operation.

Heating control relay(s) furnished as standard.

Control box and access cover constructed of heavy gauge galvanized steel.

Factory assembled with controls installed and wired.

Electric heat low voltage controls plug-in to air handler.

Circuit Breaker Models

ECB27 heaters are equipped with circuit breakers for overload and short circuit protection.

Factory wired and mounted on electric heat unit.

Current sensitive and temperature actuated.

Manual reset.

Circuit breakers qualify as disconnect means at unit in many areas, eliminate the need for field provided disconnect. Consult local electrical code in your area.

OTHER ACCESSORIES

Circuit Breaker Cover Kit

Flexible plastic cover protects circuit breaker.

Recommended in areas with high humidity or unconditioned areas to prevent nuisance tripping.

FEATURES

Single-Point Power Source Control Box

Control Box may be used with optional electric heat when single power supply is connected to multi-circuit electric heat.

Field installs external to the unit cabinet on either side or top.

Constructed of heavy gauge steel, baked enamel finish, pre punched mounting holes, electrical inlet knockouts, and terminal strip.

Removable cover provides easy access.

Dimensions (H x W x D) - 7 x 7 x 4 in.

INDOOR AIR QUALITY

Air Filter

Tool-less access to filter area for quick and easy servicing.

Disposable frame type filter furnished and factory installed in rails in cabinet.

See Specifications tables for sizes.

INSTALLATION CLEARANCES WITH ELECTRIC HEAT

Cabinet	0 inch (0 mm)
To Plenum	1 inch (25 mm)
To Outlet Duct within 3 feet (914 mm)	1 inch (25 mm)
Floor	See Note #1
Service / Maintenance	See Note #2

¹ Units installed on combustible floors in the downflow position with electric heat require optional downflow combustible flooring base.

² Front service access - 24 inches (610 mm) minimum.

NOTE - If cabinet depth is more than 24 inches (610 mm), allow a minimum of the cabinet depth plus 2 inches (51 mm).

SPECIFICATIONS

General Data		Model Number	BCE7E36	BCE7E048	BCE7E060
		Nominal tonnage	3	4	5
Connections	Suction (vapor) line (o.d.) - in. sweat		3/4	7/8	7/8
	Liquid line (o.d.) - in. sweat		3/8	3/8	3/8
	Condensate - in. fpt		(2) 3/4	(2) 3/4	(2) 3/4
Indoor Coil	Net face area - ft. ²		5.0	7.22	8.33
	Tube outside diameter - in.		3/8	3/8	3/8
	Number of rows		3	3	3
	Fins per inch		14	14	14
Blower	Wheel nominal diameter x width - in.		11 x 8	12 x 9	12 x 9
	Blower motor output - hp		1/2	1	1
¹ Filters	Size of filter - in.		20 x 20 x 1	20 x 24 x 1	20 x 24 x 1
Shipping Data -1 package - lbs.			150	186	199

ELECTRICAL DATA

	Voltage - 1 phase - 60hz	208/230V-1ph	208/230V-1ph	208/230V-1ph
	Voltage - 3 phase - 60hz	³ 460V-1ph	³ 460V-1ph	³ 460V-1ph
² Maximum overcurrent protection (unit only)- All voltages		15	15	15
Minimum circuit ampacity (unit only) - 208/230V		5	10	10
Blower Motor Full Load Amps - 208/230V		4.1	7.6	7.6
Minimum circuit ampacity (unit only) - 460V		2.6	5	5
Blower Motor Full Load Amps - 460V		2.1	4	4

OPTIONAL ACCESSORIES - ORDER SEPARATELY

Downflow Combustible Flooring Base	44K15	44K15	44K15
Downflow Conversion Kit	83M57	83M57	83M57
Electric Heat - See Electric Heat Data tables	5 to 20 kW	5 to 25 kW	
Electric Heat Circuit Breaker Cover Kit	82W01	82W01	82W01
Horizontal Support Frame Kit	56J18	56J18	56J18
Side Return Unit Stand (Upflow Only)	45K32	45K32	45K32
Single Point Power Source Control Box	21H39	21H39	21H39
Wall Hanging Bracket Kit (Upflow Only)	45K30	45K30	45K30

¹ Disposable frame type filter.

² HACR type circuit breaker or fuse.

³ Blower motor is 460V - 1 phase. Optional electric heat is 460V - 3 phase.

SPECIFICATIONS

General Data		Model Number	BCE7E042	BCE7E048	BCE7E060
	Nominal tonnage		3.5	4	5
Connections	Suction (vapor) line (o.d.) - in. sweat		7/8	7/8	7/8
	Liquid line (o.d.) - in. sweat		3/8	3/8	3/8
	Condensate - in. fpt		(2) 3/4	(2) 3/4	(2) 3/4
Indoor Coil	Net face area - ft. ²		7.22	7.22	8.33
	Tube outside diameter - in.		3/8	3/8	3/8
	Number of rows		3	3	3
	Fins per inch		14	14	14
Blower	Wheel nominal diameter x width - in.		12 x 9	12 x 9	12 x 9
	Blower motor output - hp		1	1	1
¹ Filters	Size of filter - in.		20 x 24 x 1	20 x 24 x 1	20 x 24 x 1
Shipping Data -1 package lbs.			186	186	199

ELECTRICAL DATA

		208/230V-1ph	208/230V-1ph	208/230V-1ph
	Voltage - 1 phase - 60hz			
	Voltage - 3 phase - 60hz	---	³ 460V-1ph	³ 460V-1ph
² Maximum overcurrent protection (unit only)- All voltages		15	15	15
Minimum circuit ampacity (unit only) - 208/230V		10	10	10
Blower Motor Full Load Amps - 208/230V		7.6	7.6	7.6
Minimum circuit ampacity (unit only) - 460V		---	5	5
Blower Motor Full Load Amps - 460V		---	4	4

OPTIONAL ACCESSORIES - ORDER SEPARATELY

Downflow Combustible Flooring Base	44K15	44K15	44K15
Downflow Conversion Kit	83M57	83M57	83M57
Electric Heat - See Electric Heat Data tables	5 to 25 kW		
Electric Heat Circuit Breaker Cover Kit	82W01	82W01	82W01
Horizontal Support Frame Kit	56J18	56J18	56J18
Side Return Unit Stand (Upflow Only)	45K32	45K32	45K32
Single Point Power Source Control Box	21H39	21H39	21H39
Wall Hanging Bracket Kit (Upflow Only)	45K30	45K30	45K30

¹ Disposable frame type filter.

² HACR type circuit breaker or fuse.

³ Blower motor is 460V - 1 phase. Optional electric heat is 460V - 3 phase.

BLOWER DATA

BCE7E-036 BLOWER PERFORMANCE

External Static Pressure in. w.g.	Air Volume and Motor Watts at 208V									
	Tap 1		Tap 2		Tap 3		Tap 4		Tap 5	
	cfm	Watts	cfm	Watts	cfm	Watts	cfm	Watts	cfm	Watts
.10	1074	134	1099	147	1264	206	1343	240	1498	340
.20	962	121	1027	143	1222	220	1291	253	1467	344
.30	887	126	989	153	1192	234	1269	266	1433	364
.40	852	136	944	164	1144	242	1224	280	1391	378
.50	791	150	894	172	1111	257	1194	286	1365	383
.60	717	160	820	186	1067	266	1153	297	1320	398
.70	649	168	745	202	1037	270	1118	309	1290	407
.80	606	183	697	213	999	284	1081	317	1247	422

BCE7E-048 BLOWER PERFORMANCE

External Static Pressure in. w.g.	Air Volume and Motor Watts									
	Tap 1		Tap 2		Tap 3		Tap 4		Tap 5	
	cfm	Watts	cfm	Watts	cfm	Watts	cfm	Watts	cfm	Watts
.10	1359	190	1509	257	1718	362	1773	401	1903	511
.20	1238	174	1473	273	1690	380	1758	419	1899	515
.30	1135	172	1453	289	1658	397	1707	434	1868	535
.40	1090	180	1450	290	1619	412	1687	449	1830	553
.50	1032	195	1374	315	1588	431	1660	465	1801	558
.60	980	204	1336	331	1561	440	1618	472	1770	582
.70	929	223	1295	339	1510	457	1593	493	1733	600
.80	867	235	1227	363	1488	473	1552	508	1703	618

BCE7E-060 BLOWER PERFORMANCE

External Static Pressure in. w.g.	Air Volume and Motor Watts									
	Tap 1		Tap 2		Tap 3		Tap 4		Tap 5	
	cfm	Watts	cfm	Watts	cfm	Watts	cfm	Watts	cfm	Watts
.10	1404	206	1704	340	1886	453	1928	481	2268	800
.20	1295	194	1658	349	1849	467	1905	510	2228	829
.30	1256	204	1631	365	1806	489	1869	525	2192	830
.40	1199	217	1594	386	1784	505	1842	546	2169	856
.50	1145	236	1549	394	1751	523	1799	548	2136	870
.60	1091	248	1508	413	1720	534	1775	569	2106	894
.70	978	270	1474	433	1683	549	1741	592	2089	907
.80	946	279	1440	453	1655	566	1709	611	2050	925

ELECTRIC HEAT DATA - BCE7E-036

THREE PHASE

Electric Heat Model Number	No. of Stages	Input			² Blower Motor Full Load Amps	³ Minimum Circuit Ampacity		⁵ Maximum Overcurrent Protection		Single Point Power Source	
		Volts	kW	¹ Btuh		Ckt 1	Ckt 2	Ckt 1	Ckt 2	³ Minimum Circuit Ampacity	⁵ Maximum Overcurrent Protection
8 kW 5 lbs. ECB27-8 (17D57) Terminal Block	1	208	6.0	20,500	4.1	26	---	30	---	---	---
		220	6.7	22,900	4.1	29	---	30	---	---	---
		230	7.3	25,100	4.1	29	---	30	---	---	---
		240	8.0	27,300	4.1	29	---	30	---	---	---
10 kW 6 lbs. ECB27-10 (17D58) Terminal Block ECB27-10 (17D62) (3) 20A Fuses	1	208	7.5	25,600	4.1	31	---	35	---	---	---
		220	8.4	28,700	4.1	35	---	35	---	---	---
		230	9.2	31,400	4.1	35	---	35	---	---	---
		240	10.0	34,100	4.1	35	---	35	---	---	---
	1	440	8.4	28,700	2.1	16	---	20	---	---	---
		460	9.2	31,400	2.1	17	---	20	---	---	---
		480	10.0	34,100	2.1	17	---	20	---	---	---
15 kW 12 lbs. ECB27-15CB (17D59) (1) 50A Circuit breaker ECB27-15 (17D63) (3) 25A Fuses	1	208	11.3	38,400	4.1	44	---	45	---	---	---
		220	12.6	43,000	4.1	50	---	50	---	---	---
		230	13.5	47,000	4.1	50	---	50	---	---	---
		240	15.0	51,200	4.1	50	---	50	---	---	---
	1	440	12.6	43,000	2.1	23	---	25	---	---	---
		460	13.5	47,000	2.1	24	---	25	---	---	---
		480	15.0	51,200	2.1	25	---	30	---	---	---
20 kW 19 lbs. ECB27-20CB (17D60) (2) 35A Circuit breaker	2	208	15.0	51,200	4.1	31	26	35	30	57	60
		220	16.8	57,300	4.1	35	30	35	30	65	70
		230	18.4	62,700	4.1	35	30	35	30	65	70
		240	20.0	68,200	4.1	35	30	35	30	65	70

NOTE - Circuit 1 Minimum Circuit Ampacity includes the Blower Motor Full Load Amps.

¹ Electric heater capacity only - does not include additional blower motor heat capacity.

² Amps shown are for blower motor only.

³ Refer to National or Canadian Electrical Code manual to determine wire, fuse and disconnect size requirements. Use wires suitable for at least 167°F.

⁴ Bold text indicates that the circuit breaker on "CB" circuit breaker models must be replaced with size noted. See Table on Page 25.

⁵ HACR type circuit breaker or fuse.

ELECTRIC HEAT DATA - BCE7E-048

THREE PHASE

	Electric Heat Model Number	No. of Stages	Input			² Blower Motor Full Load Amps	³ Minimum Circuit Ampacity		⁵ Maximum Overcurrent Protection		Single Point Power Source		
			Volts	kW	¹ Btuh		Ckt 1	Ckt 2	Ckt 1	Ckt 2	³ Minimum Circuit Ampacity	⁵ Maximum Overcurrent Protection	
8 kW 5 lbs.	ECB27-8 (17D57) Terminal block	1	208	6.0	20,500	7.6	30	---	30	---	---	---	
			220	6.7	22,900	7.6	33	---	35	---	---	---	
			230	7.3	25,100	7.6	33	---	35	---	---	---	
			240	8.0	27,300	7.6	33	---	35	---	---	---	
10 kW 6 lbs.	ECB27-10 (17D58) Terminal Block	1	208	7.5	25,600	7.6	36	---	40	---	---	---	
			220	8.4	28,700	7.6	40	---	40	---	---	---	
			230	9.2	31,400	7.6	40	---	40	---	---	---	
			240	10.0	34,100	7.6	40	---	40	---	---	---	
	ECB27-10 (17D62) (3) 20A Fuses	1		440	8.4	28,700	4.0	18	---	20	---	---	---
				460	9.2	31,400	4.0	19	---	20	---	---	---
				480	10.0	34,100	4.0	20	---	25	---	---	---
15 kW 12 lbs.	ECB27-15CB (17D59) 50A Circuit breaker	1	208	11.3	38,400	7.6	49	---	50	---	---	---	
			220	12.6	43,000	7.6	55	---	460	---	---	---	
			230	13.5	47,000	7.6	55	---	460	---	---	---	
			240	15.0	51,200	7.6	55	---	460	---	---	---	
	ECB27-15 (17D63) (3) 25A Fuses	1		440	12.6	43,000	4.0	25	---	30	---	---	---
				460	13.5	47,000	4.0	26	---	30	---	---	---
				480	15.0	51,200	4.0	27	---	30	---	---	---
20 kW 19 lbs.	ECB27-20CB (17D60) (2) 35A Circuit breaker	2	208	15.0	51,200	7.6	36	26	440	430	62	70	
			220	16.8	57,300	7.6	40	30	440	430	70	70	
			230	18.4	62,700	7.6	40	30	440	430	70	70	
			240	20.0	68,200	7.6	40	30	440	430	70	70	
	ECB27-20 (17D64) (3) 35A Fuses	1		440	16.8	57,300	4.0	33	---	35	---	---	---
				460	18.4	62,700	4.0	34	---	35	---	---	---
				480	20.0	68,200	4.0	35	---	40	---	---	---
	25 kW 19 lbs.	ECB27-25CB (17D61) (2) 45A Circuit breaker	2	208	18.8	64,100	7.6	42	33	450	435	75	80
220				21.0	71,700	7.6	47	38	450	440	85	90	
230				23.0	78,300	7.6	47	38	450	440	85	90	
240				25.0	85,300	7.6	47	38	450	440	85	90	
ECB27-25 (17D65) (3) 40A Fuses		1		440	21.0	71,700	4.0	39	---	40	---	---	---
				460	23.0	78,300	4.0	41	---	45	---	---	---
				480	25.0	85,300	4.0	42	---	45	---	---	---

NOTE - Circuit 1 Minimum Circuit Ampacity includes the Blower Motor Full Load Amps.

¹ Electric heater capacity only - does not include additional blower motor heat capacity.

² Amps shown are for blower motor only.

³ Refer to National or Canadian Electrical Code manual to determine wire, fuse and disconnect size requirements. Use wires suitable for at least 167°F.

⁴ Bold text indicates that the circuit breaker on "CB" circuit breaker models must be replaced with size noted. See Table on Page 25.

⁵ HACR type circuit breaker or fuse.

⁶ Blower motor is rated at 460V.

ELECTRIC HEAT DATA - BCE7E-060

THREE PHASE

	Electric Heat Model Number	No. of Stages	Input			² Blower Motor Full Load Amps	³ Minimum Circuit Ampacity		⁵ Maximum Overcurrent Protection		Single Point Power Source		
			Volts	kW	¹ Btuh		Ckt 1	Ckt 2	Ckt 1	Ckt 2	³ Minimum Circuit Ampacity	⁵ Maximum Overcurrent Protection	
8 kW 5 lbs.	ECB27-8 (17D57) Terminal block	1	208	6.0	20,500	7.6	30	---	30	---	---	---	
			220	6.7	22,900	7.6	33	---	35	---	---	---	
			230	7.3	25,100	7.6	33	---	35	---	---	---	
			240	8.0	27,300	7.6	33	---	35	---	---	---	
10 kW 6 lbs.	ECB27-10 (17D58) Terminal Block	1	208	7.5	25,600	7.6	36	---	40	---	---	---	
			220	8.4	28,700	7.6	40	---	40	---	---	---	
			230	9.2	31,400	7.6	40	---	40	---	---	---	
			240	10.0	34,100	7.6	40	---	40	---	---	---	
	ECB27-10 (17D62) (3) 20A Fuses	1		440	8.4	28,700	4.0	18	---	20	---	---	---
				460	9.2	31,400	4.0	19	---	20	---	---	---
				480	10.0	34,100	4.0	20	---	25	---	---	---
15 kW 12 lbs.	ECB27-15CB (17D59) 50A Circuit breaker	1	208	11.3	38,400	7.6	49	---	50	---	---	---	
			220	12.6	43,000	7.6	55	---	460	---	---	---	
			230	13.5	47,000	7.6	55	---	460	---	---	---	
			240	15.0	51,200	7.6	55	---	460	---	---	---	
	ECB27-15 (17D63) (3) 25A Fuses	1		440	12.6	43,000	4.0	25	---	30	---	---	---
				460	13.5	47,000	4.0	26	---	30	---	---	---
				480	15.0	51,200	4.0	27	---	30	---	---	---
20 kW 19 lbs.	ECB27-20CB (17D60) (2) 35A Circuit breaker	2	208	15.0	51,200	7.6	36	26	440	430	62	70	
			220	16.8	57,300	7.6	40	30	440	430	70	70	
			230	18.4	62,700	7.6	40	30	440	430	70	70	
			240	20.0	68,200	7.6	40	30	440	430	70	70	
	ECB27-20 (17D64) (3) 35A Fuses	1		440	16.8	57,300	4.0	33	---	35	---	---	---
				460	18.4	62,700	4.0	34	---	35	---	---	---
				480	20.0	68,200	4.0	35	---	40	---	---	---
25 kW 19 lbs.	ECB27-25CB (17D61) (2) 45A Circuit breaker	2	208	18.8	64,100	7.6	42	33	45	435	75	80	
			220	21.0	71,700	7.6	47	38	450	440	85	90	
			230	23.0	78,300	7.6	47	38	450	440	85	90	
			240	25.0	85,300	7.6	47	38	450	440	85	90	
	ECB27-25 (17D65) (3) 40A Fuses	1		440	21.0	71,700	4.0	39	---	40	---	---	---
				460	23.0	78,300	4.0	41	---	45	---	---	---
				480	25.0	85,300	4.0	42	---	45	---	---	---

NOTE - Circuit 1 Minimum Circuit Ampacity includes the Blower Motor Full Load Amps.

¹ Electric heater capacity only - does not include additional blower motor heat capacity.

² Amps shown are for blower motor only.

³ Refer to National or Canadian Electrical Code manual to determine wire, fuse and disconnect size requirements. Use wires suitable for at least 167°F.

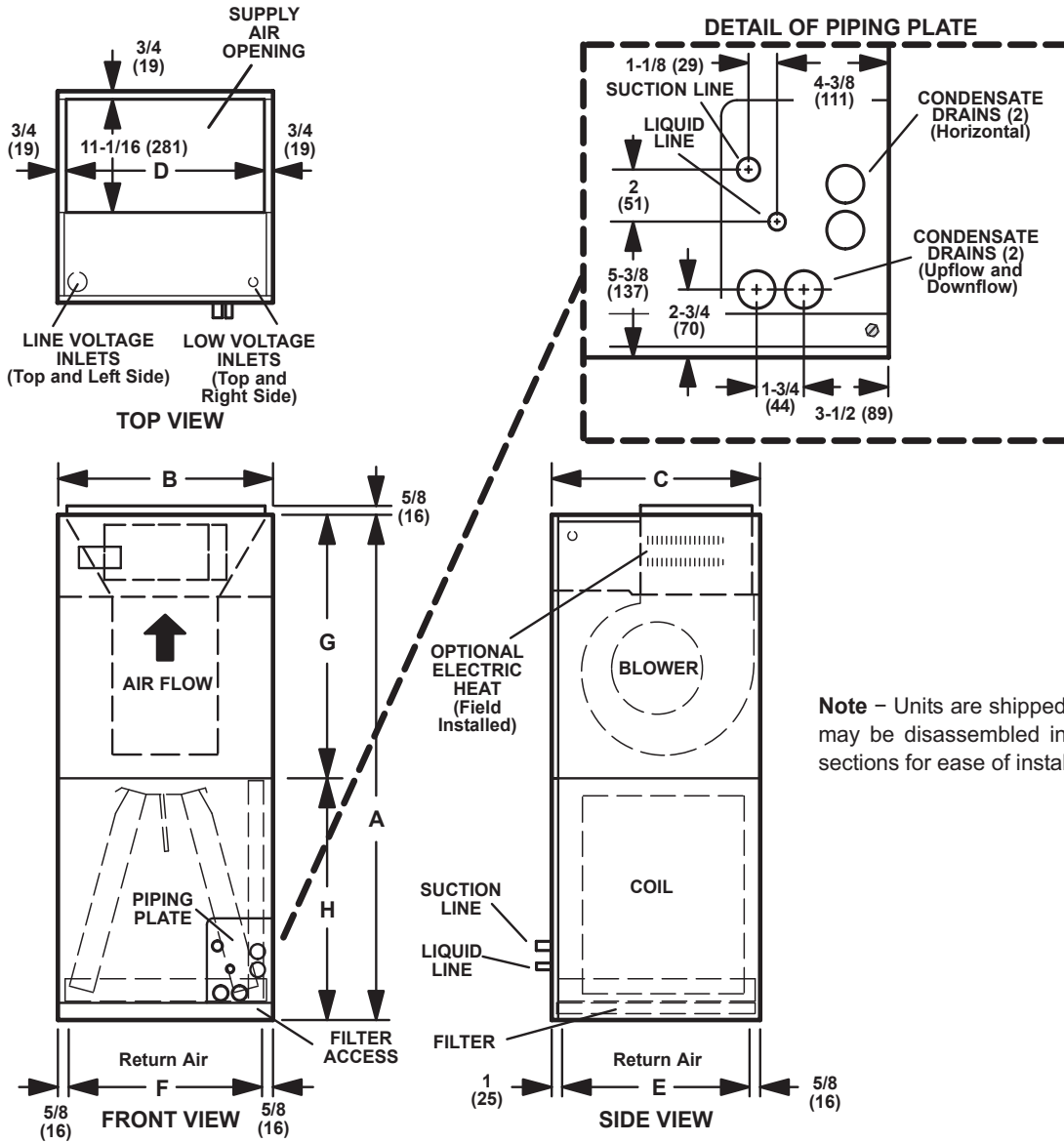
⁴ Bold text indicates that the circuit breaker on "CB" circuit breaker models must be replaced with size noted. See Table on Page 25.

⁵ HACR type circuit breaker or fuse.

⁶ Blower motor is rated at 460V.

DIMENSIONS - INCHES (MM)

UPFLOW POSITION

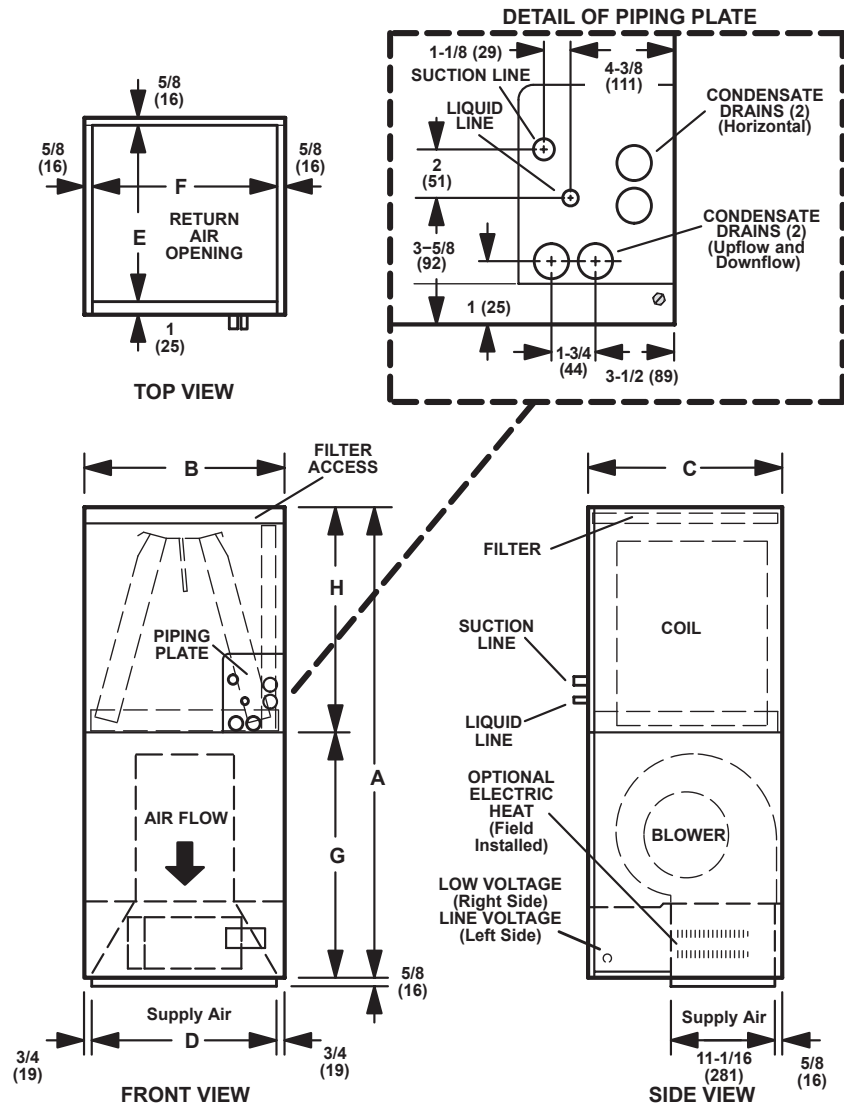


Note – Units are shipped in one piece but may be disassembled into two separate sections for ease of installation.

Model No.		A	B	C	D	E	F	G	H
BCE7E-036	in.								
	mm	1295	540	575	502	533	508	670	625
BCE7E-048	mm	1486	540	625	502	584	508	708	778
BCE7E-060	in.	62-1/2	21-1/4	24-5/8	19-3/4	23	20	27-7/8	34-5/8
	mm	1588	540	625	502	584	508	708	879

DIMENSIONS - INCHES (MM)

DOWNFLOW POSITION with Optional Downflow Conversion Kit (Required)

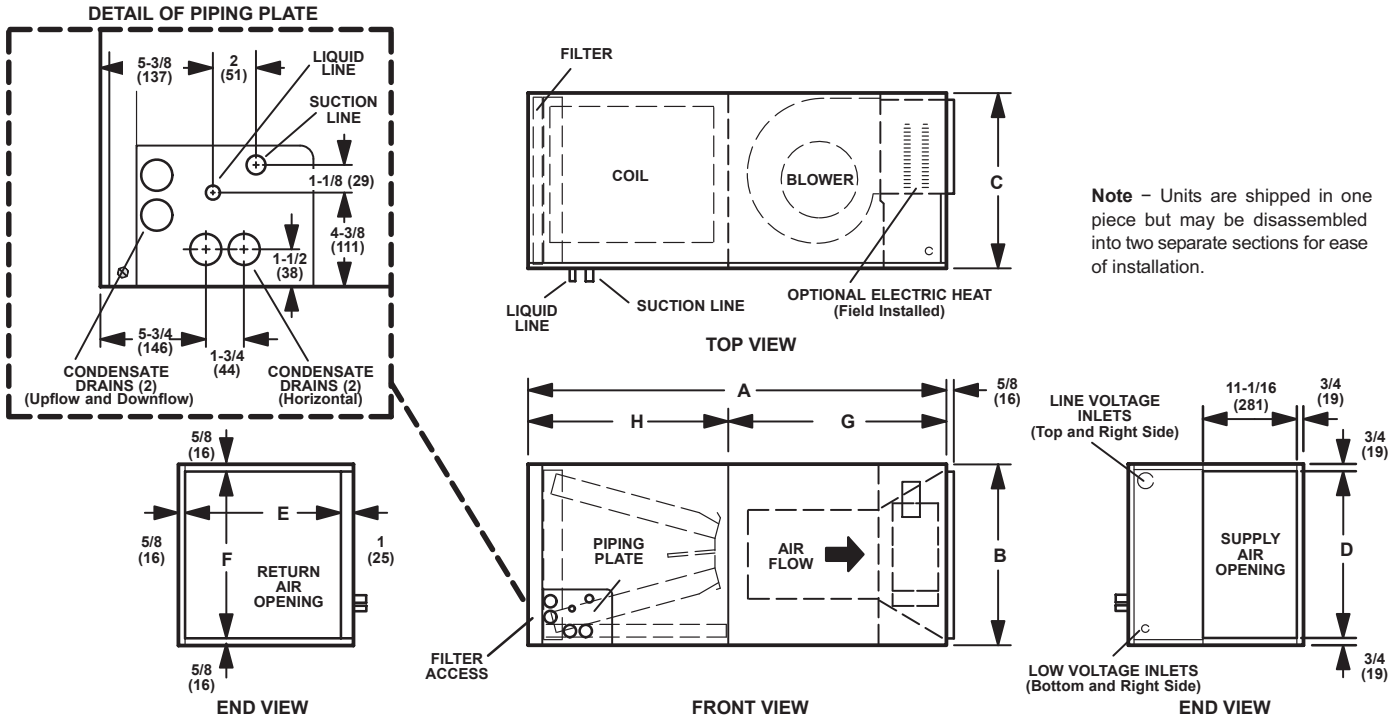


Note – Units are shipped in one piece but may be disassembled into two separate sections for ease of installation.

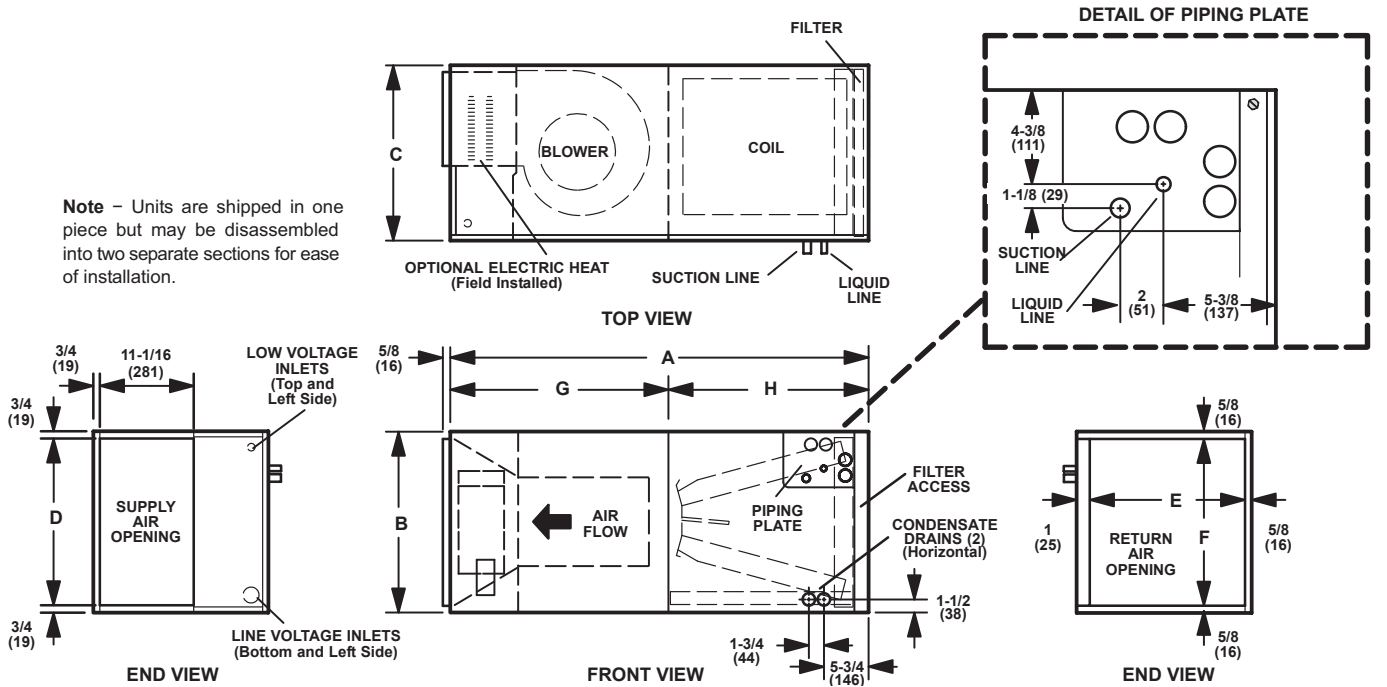
Model No.		A	B	C	D	E	F	G	H
BCE7E-048	in.								
	mm	1486	540	625	502	584	508	708	778
BCE7E-060	in.	62-1/2	21-1/4	24-5/8	19-3/4	23	20	27-7/8	34-5/8
	mm	1588	540	625	502	584	508	708	879

DIMENSIONS - INCHES (MM)

RIGHT-HAND AIR DISCHARGE



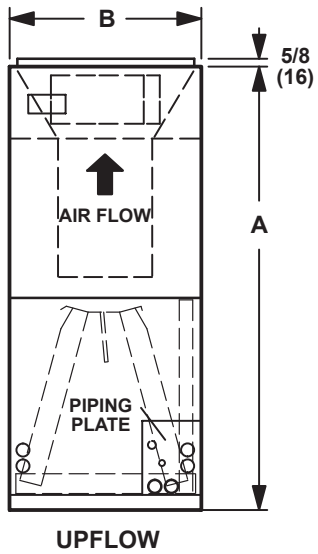
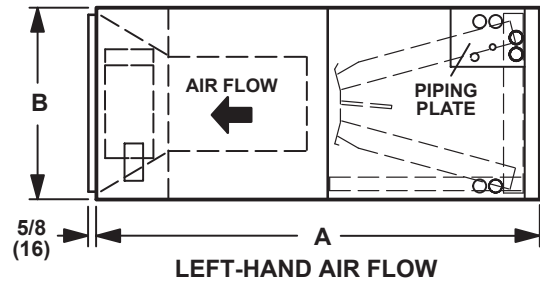
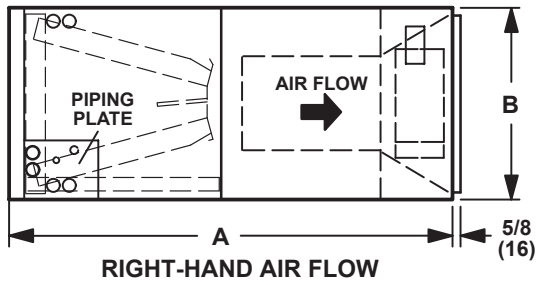
LEFT-HAND AIR DISCHARGE



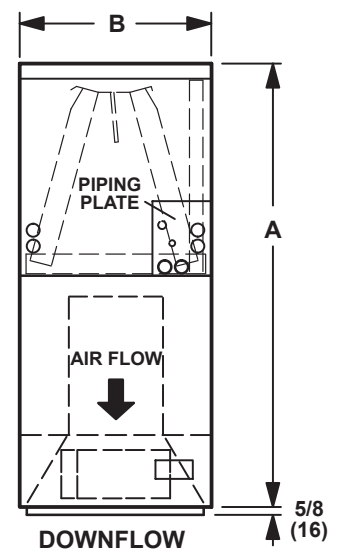
Model No.	A		B		C		D		E		F		G		H	
	inch	mm	inch	mm	inch	mm	inch	mm	inch	mm	inch	mm	inch	mm	inch	mm
BCE7E-036	51	1295	21-1/4	540	22-5/8	575	19-3/4	502	21	533	20	508	26-3/8	670	24-5/8	625
BCE7E-048	58-1/2	1486	21-1/4	540	24-5/8	625	19-3/4	502	23	584	20	508	27-7/8	708	30-5/8	778
BCE7E-060	62-1/2	1588	21-1/4	540	24-5/8	625	19-3/4	502	23	584	20	508	27-7/8	708	34-5/8	879

DIMENSIONS - INCHES (MM)

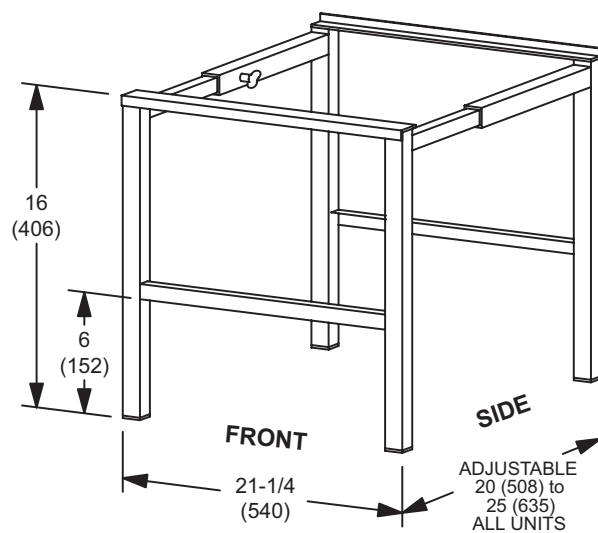
AIR FLOW



Model No.	A		B	
	in.	mm	in.	mm
BCE7E-036	51	1295	21-1/4	540
BCE7E-048	58-1/2	1486	21-1/4	540
BCE7E-060	62-1/2	1588	21-1/4	540

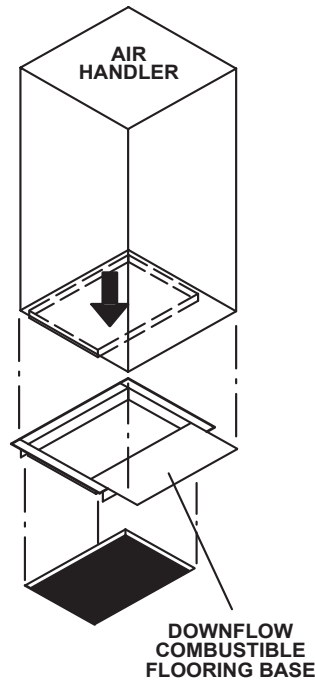


SIDE RETURN UNIT STAND (Upflow Only)

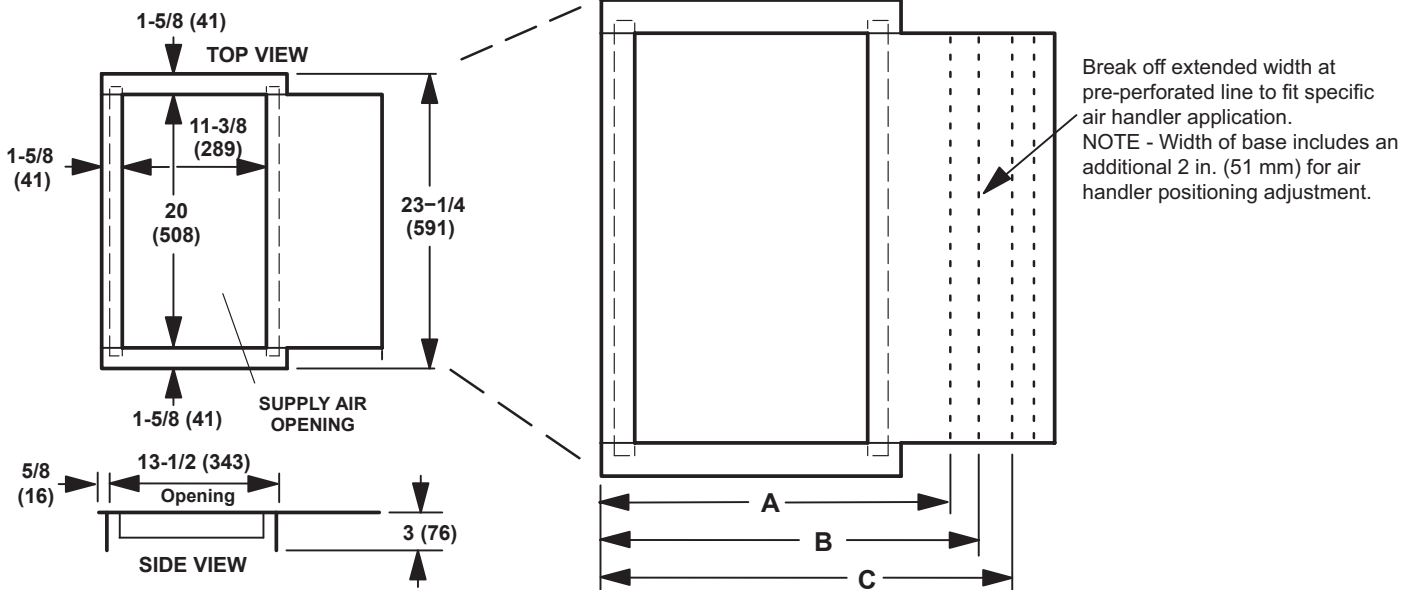


DIMENSIONS - INCHES (MM)

DOWNFLOW COMBUSTIBLE FLOORING BASE



Catalog No. - 44K15



Model No.	036		042, 048, 060	
	in.	mm	in.	mm
A	---	---	---	---
B	24-5/8	625	---	---
C	---	---	26-5/8	676

ACCESSORIES

Description	Where Used	Cat. Number
Circuit Breaker Cover Kit	All Models	82W01
Downflow Combustible Flooring Base	All Models	44K15
Horizontal Support Frame Kit	All Models	56J18
Side Return Unit Stand (Upflow)	All Models	45K32
Single-Point Power Source Control Box	All Models	21H39
Wall Hanging Bracket Kit (Upflow)	All Models	45K30
Remote Outdoor Sensor	All Models	X2658

ELECTRIC HEAT

Size	Model	C/B Size *	Where Used	Cat #
Electric Heat Kits - Single Phase				
5 kW	ECB27-5CB-P	35A	18, 24, 30, 36, 42, 48, 60	17D47
9 kW	ECB27-9CB-P	60A	30, 36, 42, 48, 60	17D52
12 kW	ECB27-12.5CB-P	30A + 45A	30, 36, 42, 48, 60	17D53
15 kW	ECB27-15CB-P	35A + 60A	30, 36, 42, 48, 60	17D54
20 kW	ECB27-20CB-P	60A + 60A	36, 42, 48, 60	17D55
25 kW	ECB27-25CB-P	60A + 45A + 45A	42, 48, 60	17D56
Electric Heat Kits - Three Phase				
8KW	ECB27-8-Y	Terminal Block	30, 36, 42, 48, 60	17D57
10KW	ECB27-10-Y	Terminal Block	30, 36, 42, 48, 60	17D58
	ECB27-10-G	(3) 20A fuses	36, 48, 60 - 460V only	17D62
15KW	ECB27-15CB-Y	50A	30, 36, 42, 48, 60	17D59
	ECB27-15-G	(3) 25A fuses	36, 48, 60 - 460V only	17D63
20KW	ECB27-20CB-Y	35A + 35A	36, 42, 48, 60	17D60
	ECB27-20-G	(3) 35A fuses	48, 60 - 460V only	17D64
25KW	ECB27-25CB-Y	45A + 45A	42, 48, 60	17D61
	ECB27-25-G	(3) 40A fuses	48, 60 - 460V only	17D65

Replacement Circuit Breakers		
Voltage	Description	Cat #
208/240V - 3 Phase	30A, 3 pole	64W47
	35A, 3 pole	41K14
	40A, 3 pole	41K16
	45A, 3 pole	18M86
	50A, 3 pole	41K15
	60A, 3 pole	41K17



Visit us at www.marsdelivers.com

Contact us at 517-787-2100

All specifications and illustrations subject to change without notice and without incurring obligations.