

Manufactured Housing

HVAC EQUIPMENT GUIDE

*Electric Furnaces, 80% Gas Furnaces
95% Gas Furnaces, Coils and Accessories*

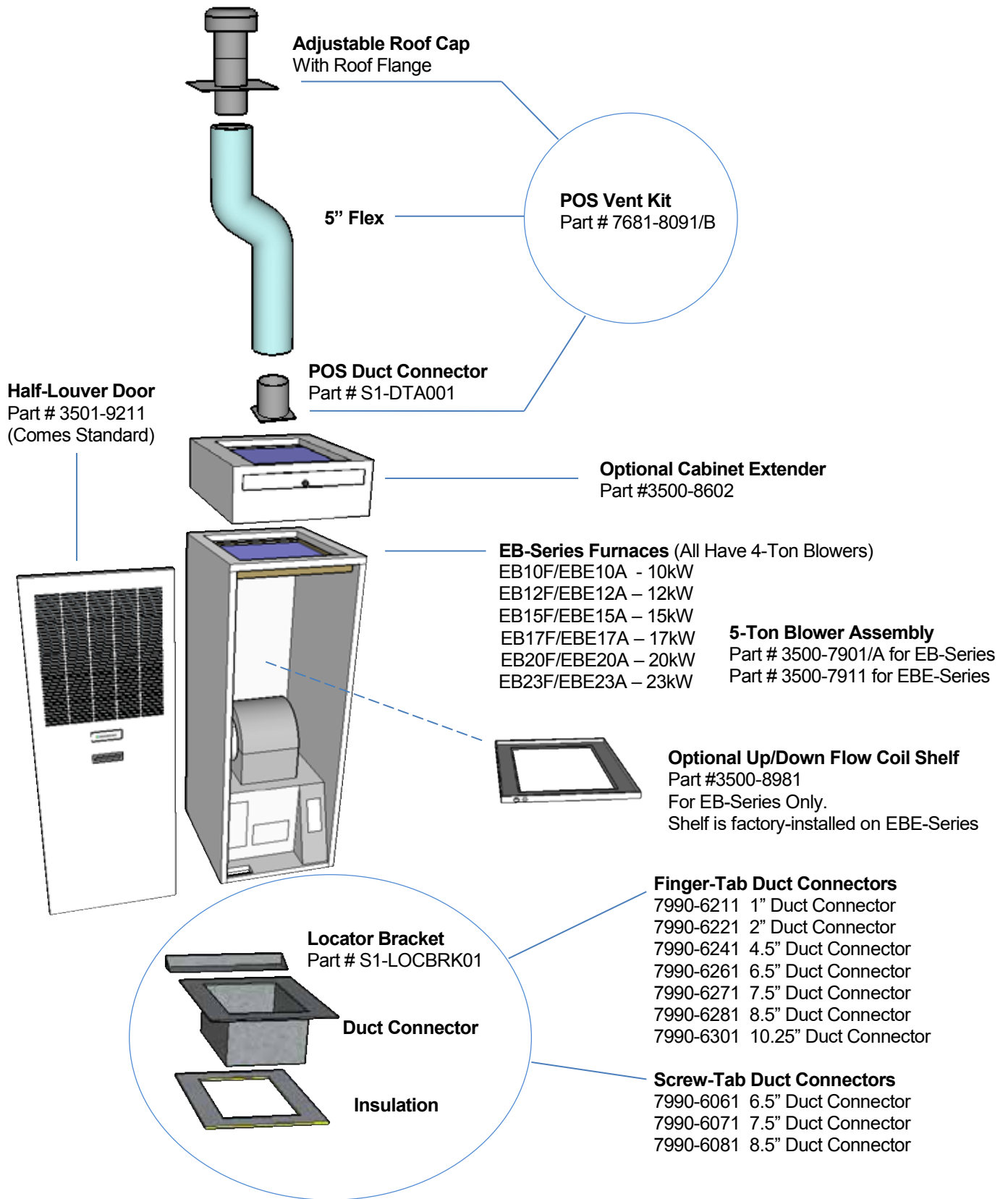


Manufactured Housing HVAC Equipment Guide

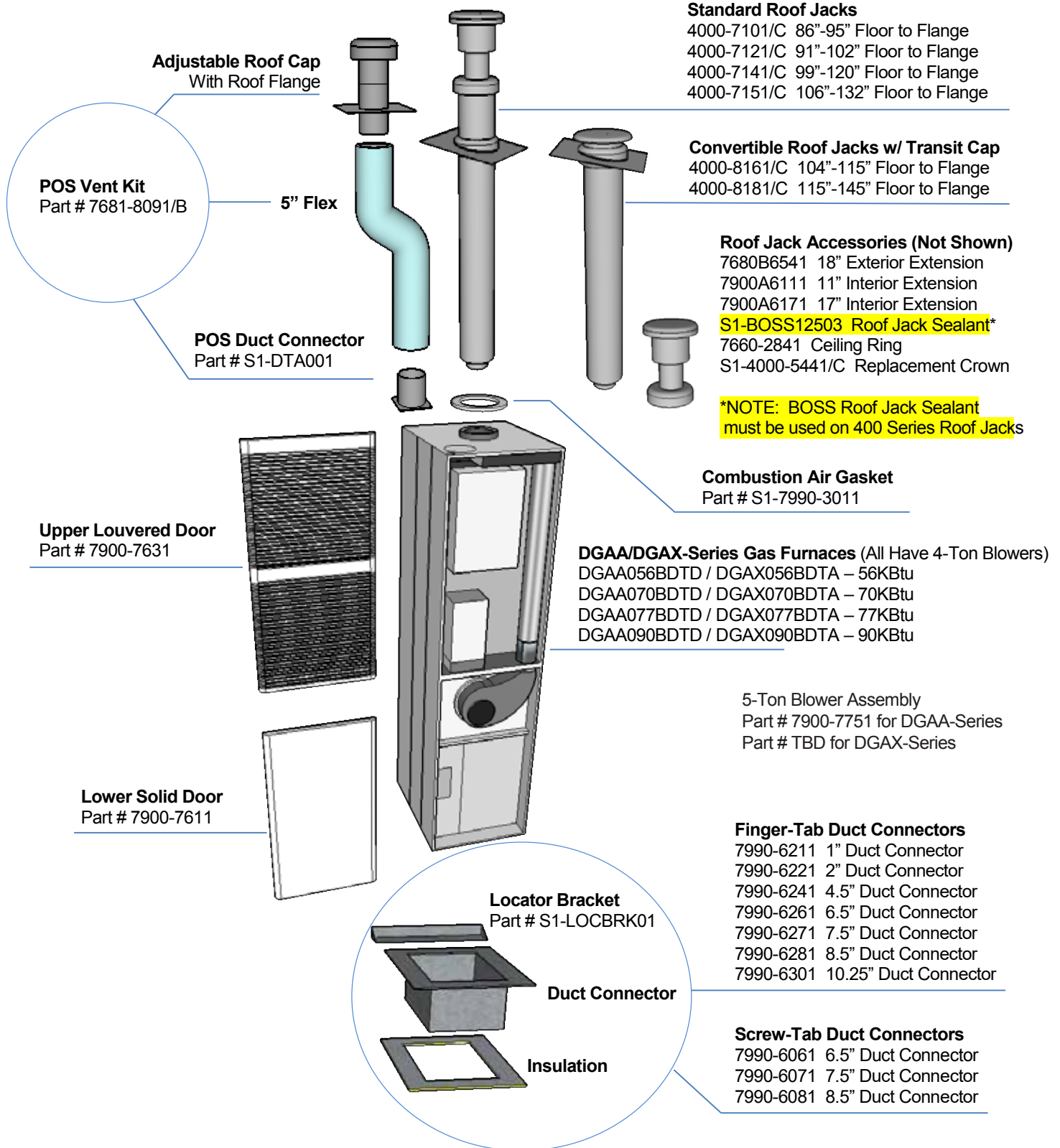
EB/EBE-Series Electric Furnace: Down-Flow Configuration.....	Pg. 2
EU/EUE-Series Electric Furnace: Up-Flow on Fabricated Shelf.....	Pg. 3
EU/EUE-Series Electric Furnace: Up-Flow on Stand.....	Pg. 4
DGAA/DGAX-Series Gas Furnace: Down-Flow Configuration.....	Pg. 5
MG9S/MM9E-Series Gas Furnace: Down-Flow Configuration.....	Pg. 6
MG9S/MM9E-Series Gas Furnace: Up-Flow on Fabricated Shelf.....	Pg. 7
MG9S/MM9E-Series Gas Furnace: Up-Flow with Side Return.....	Pg. 8
Duct Connector Installation Detail.....	Pg. 9
Duct Connector Dimensions EB/EBE and DGAA/DGAX-Series Furnaces.....	Pg. 10
Duct Connector Dimensions MG9S/MM9E-Series Furnaces.....	Pg. 11
Roof Jack Details.....	Pg. 12
Gas Furnace Orifice Details.....	Pg. 13
Manufactured Housing Coils.....	Pg. 14



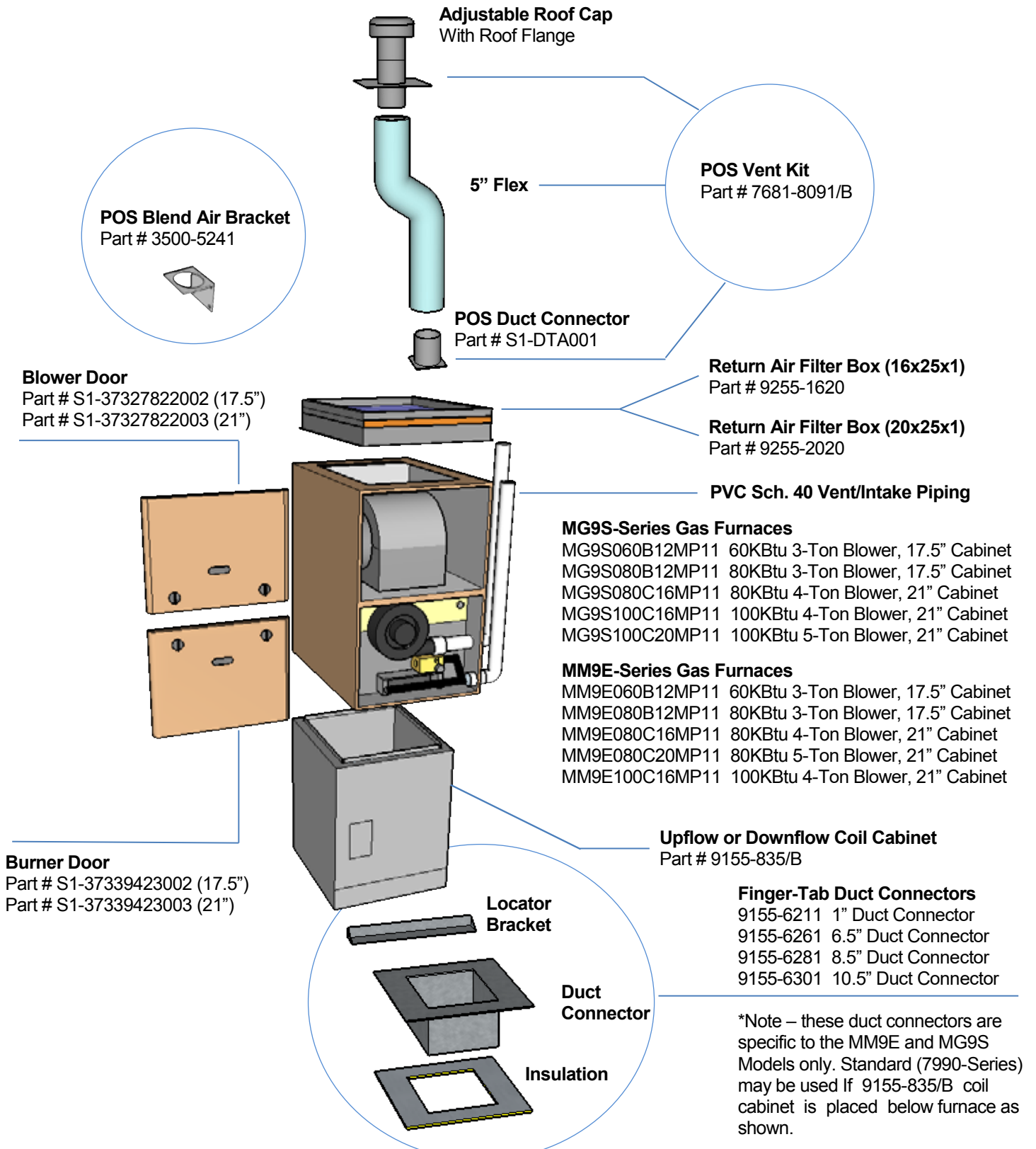
EB/EBE-Series Electric Furnace in default *Down-Flow Configuration*



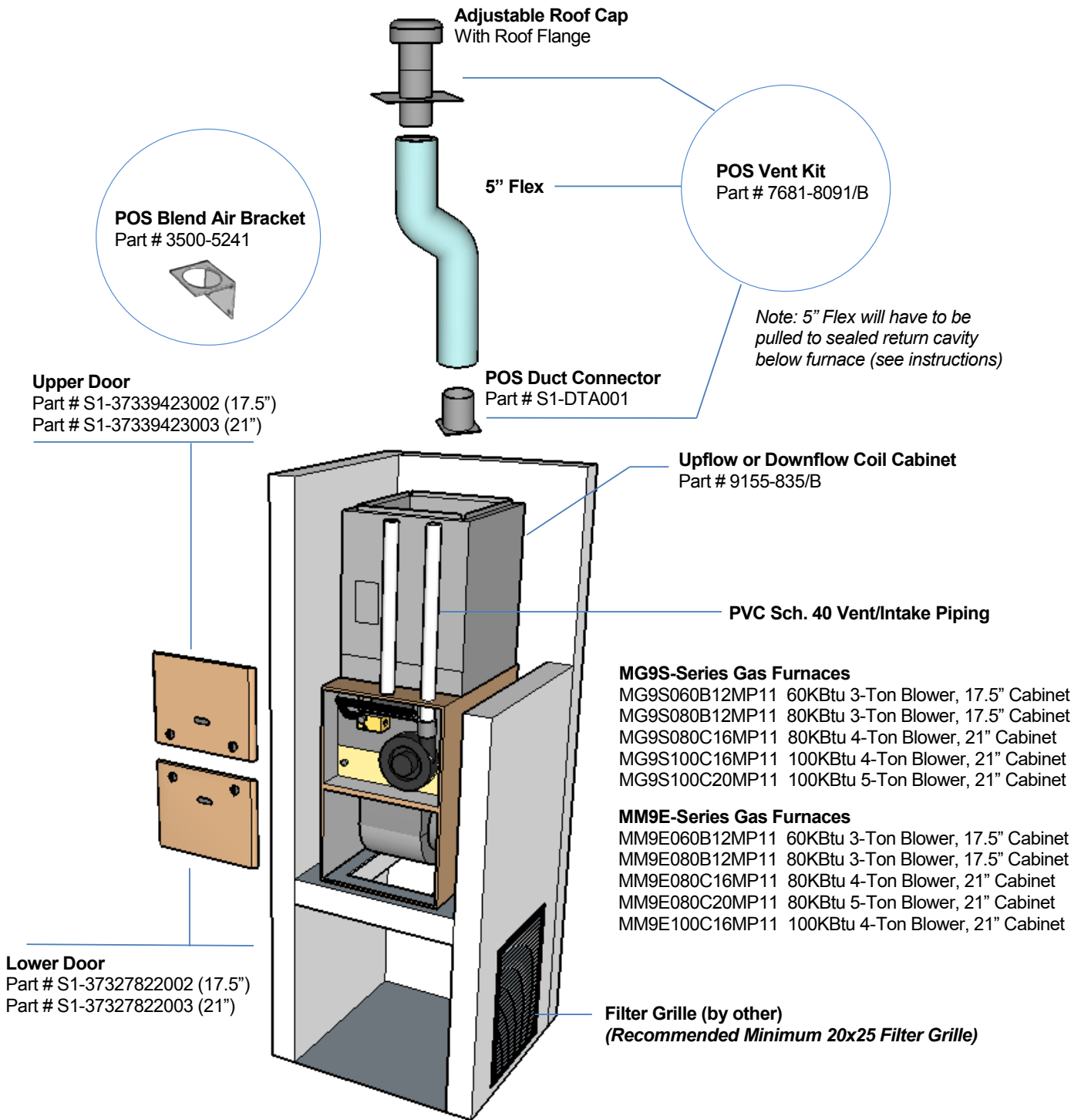
DGAA/DGAX-Series 80% Gas Furnace, **Down-Flow Only**



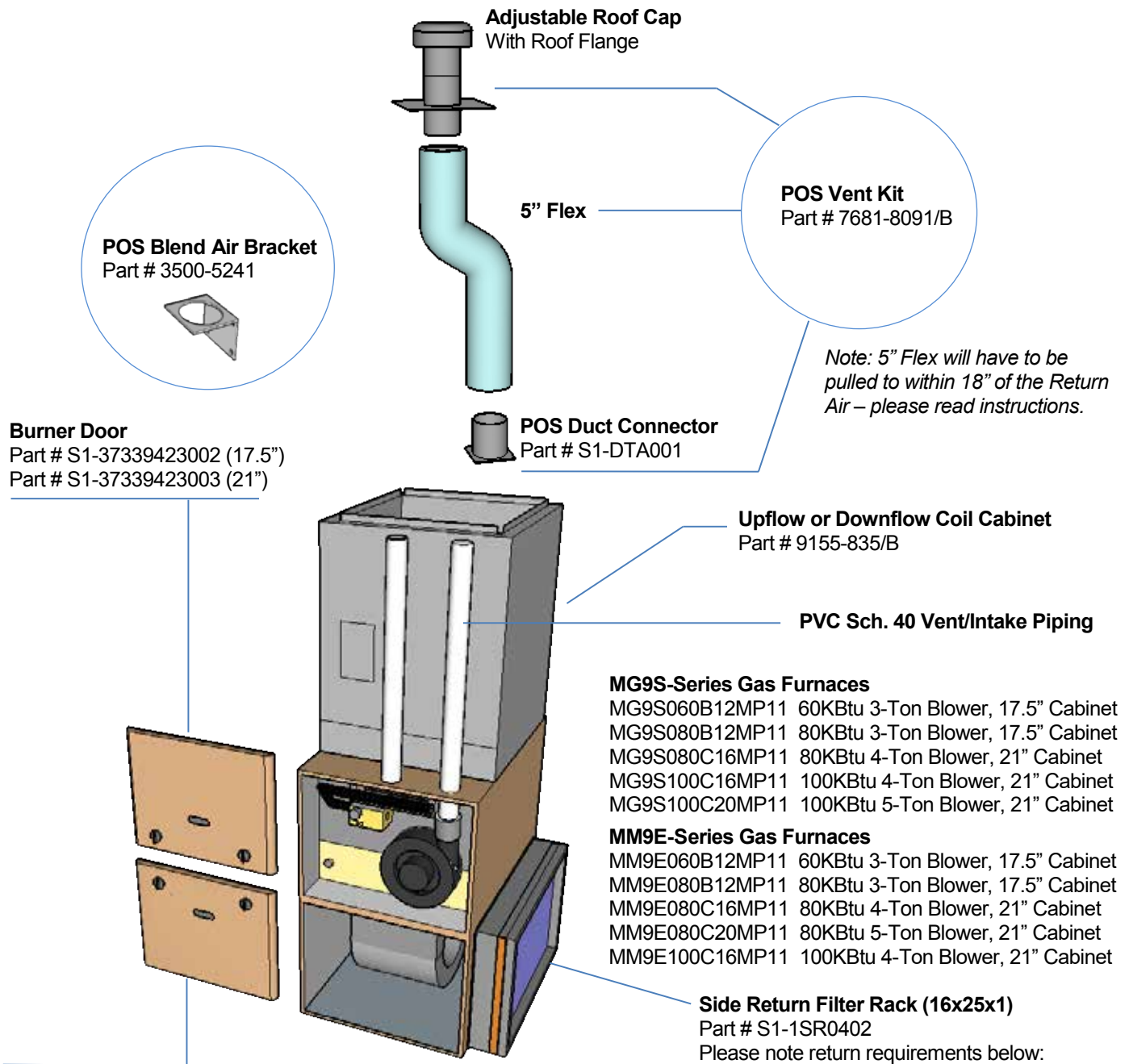
MG9S/MM9E-Series 95% Gas Furnace in default *Down-Flow Configuration*



MG9S/MM9E-Series 95% Gas Furnace, converted to *Up-Flow on Fabricated Shelf*



MG9S-Series 95% Gas Furnace converted to *Up-Flow with Side Return*



Blower Door
Part # S1-37339423002 (17.5")
Part # S1-37339423003 (21")

Blower Door
Part # S1-37327822002 (17.5")
Part # S1-37327822003 (21")

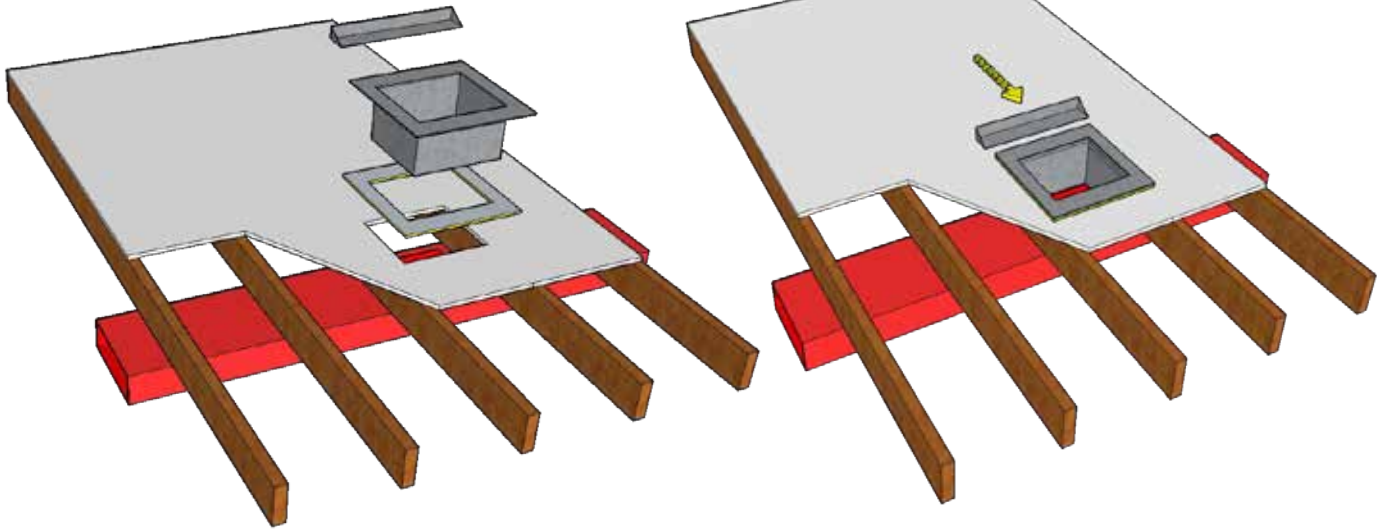
CFM	Cabinet Size	Side (in)	Bottom (in)
1200	B	16 x 25	16 x 25
1600	C	16 x 25	20 x 25
2000	C	(2) 16 x 25	20 x 25
2000	D	(2) 16 x 25	22 x 25

Typical Duct Connector Installation:

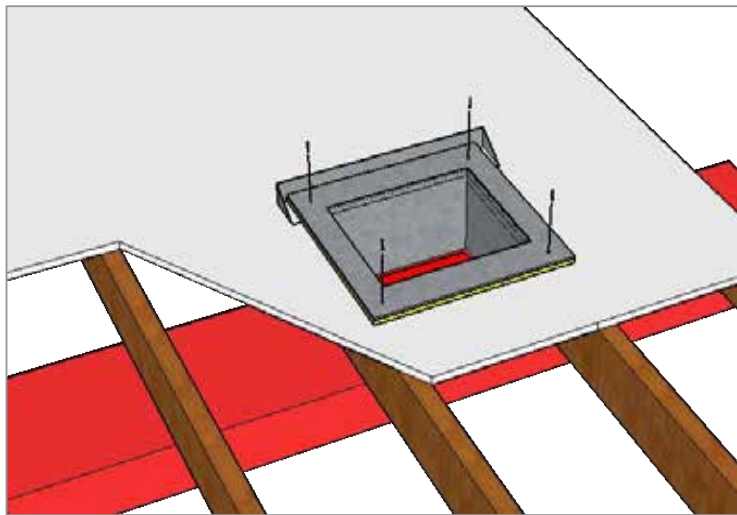
Step 1: Rectangular hole is cut in finished floor above existing supply duct. Select duct connector based on distance/depth from finished floor to supply duct. Duct connector is lowered into hole through insulation ring. Corresponding hole is cut in supply duct to match duct connector finger/screw tabs.

***Note:** Duct connector may be rotated in any direction to fit supply duct.

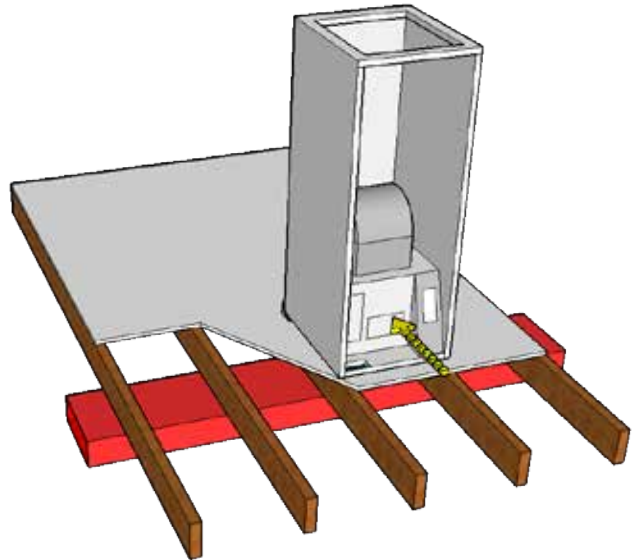
Step 2: Duct connector is then attached and sealed to supply duct using industry-approved methods. Locator plate is then slid underneath and centered side-to-side on the flange of duct connector to act as the backstop for the furnace.



Step 3: Duct connector is then attached to the floor using appropriate screws, flat-head nails, or staples.

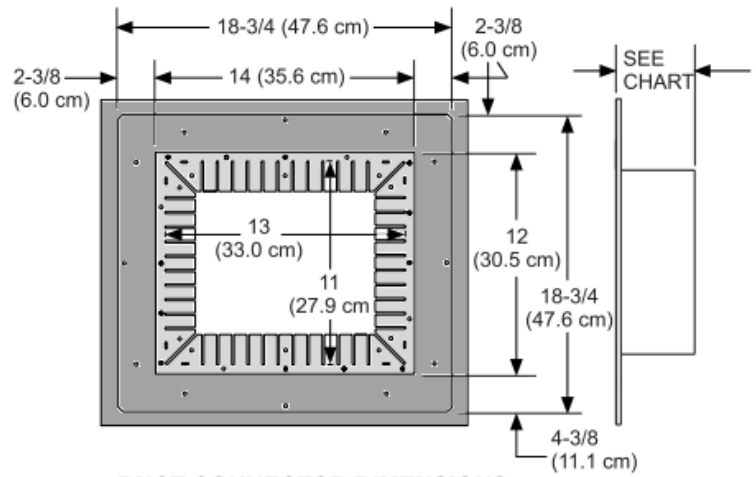


Step 4: Furnace is slid back to against locator plate and secured to floor using methods detailed in install manual.



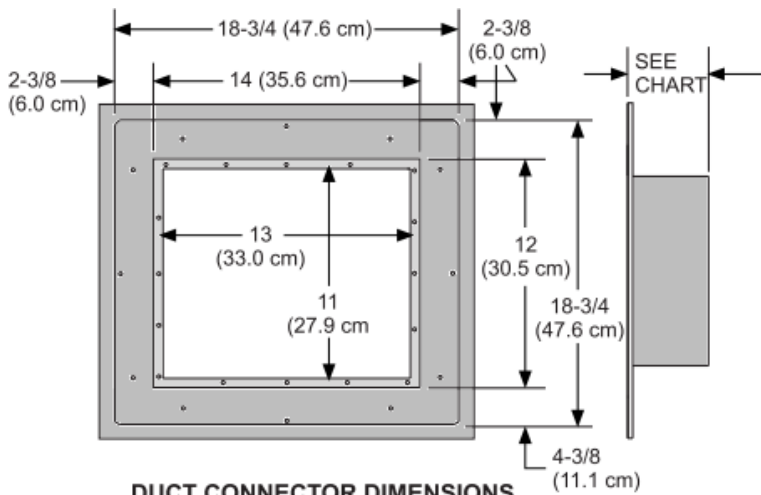
Duct Connector Dimensions for DGAA/DGAX-Series Gas Furnaces and EB/EBE-Series Electric Furnaces:

Finger-Tab Duct Connector



DUCT CONNECTOR DIMENSIONS

DUCT CONNECTOR PART NUMBER	DUCT CONNECTOR DEPTH
7990-6211	1" (2.5 cm)
7990-6221	2" (5.7 cm)
7990-6241	4-1/2" (11.4 cm)
7990-6261	6-1-2" (16.5 cm)
7990-6271	7-1/2" (19.0 cm)
7990-6281	8-1/2" (21.6 cm)
7990-6301	10-1/4" (26.0 cm)

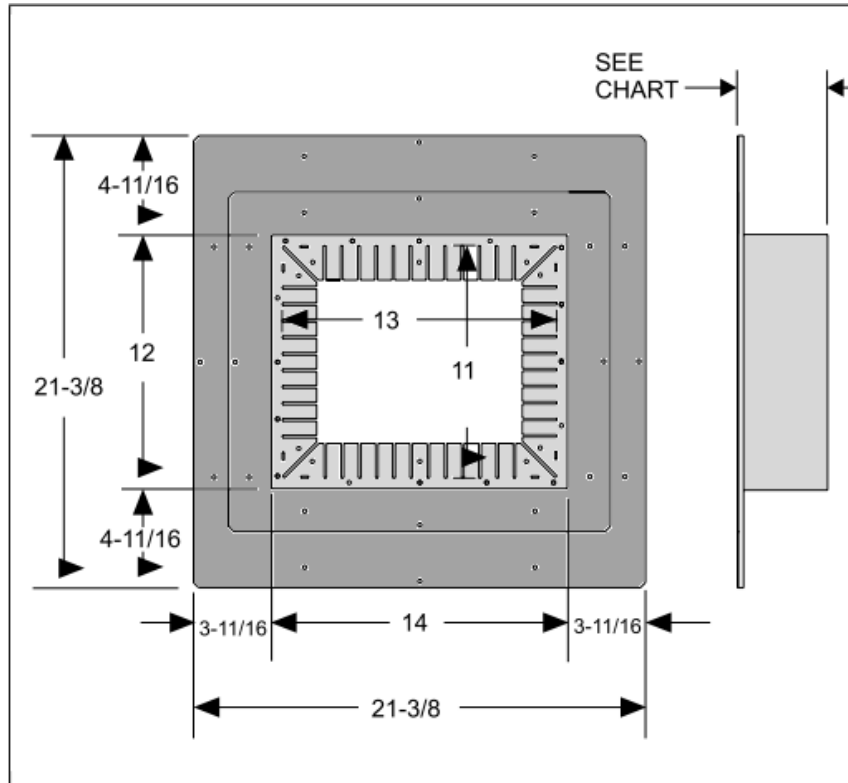


Screw-Tab Duct Connectors

DUCT CONNECTOR DIMENSIONS

DUCT CONNECTOR PART NUMBER	DUCT CONNECTOR DEPTH
7990-6061	6-1-2" (16.5 cm)
7990-6071	7-1/2" (19.0 cm)
7990-6081	8-1/2" (21.6 cm)

Duct Connector Dimensions for MG9S/MM9E-Series Gas Furnaces:

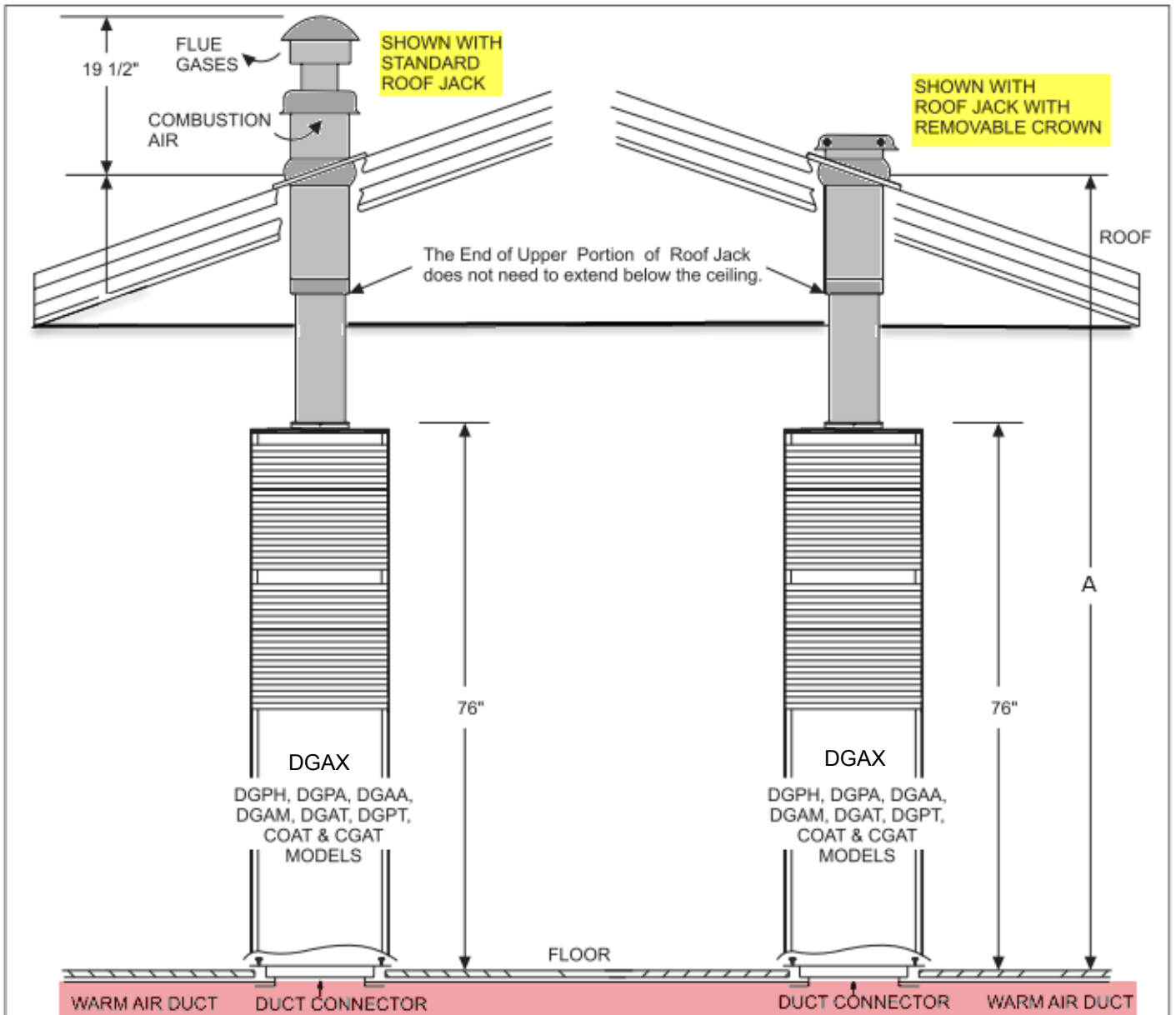


Finger-Tab Duct Connectors

DUCT CONNECTOR PART NUMBER	DUCT CONNECTOR DEPTH
9155-6211	1"
9155-6261	6-1/2"
9155-6281	8-1/2"
9155-6301	10-1/2"

Roof Jack Sizes and Styles:

SWIVEL FLASHING ADJUSTS FROM 0/12 TO 5/12 PITCH	INSTALLATION DIMENSIONS	
		"A" ADJUSTABLE HEIGHT 76" CASING
	STANDARD ROOF JACK	
4000-7101/C		86" to 95"
4000-7121/C		91" to 102"
4000-7141/C		99" to 120"
4084-7141*		
4000-7151/C		106" to 132"
4084-7151*		
	ROOF JACK WITH REMOVABLE CROWN	
4000-8161/C		101" to 117"
4000-8181/C		115" to 145"



DGAA/DGAX-Series Gas Furnace Orifice Information (one orifice per furnace):

NOTE: Part Numbers of orifices will always begin with an “S1-“ prefix – for instance: **S1-9951-1361**

NATURAL GAS													
Elevation Feet	56,000 — Input				70,000 — Input			77,000 — Input			90,000 — Input		
	Meters	Orifice Dia.	Drill Size	Part #	Orifice Dia.	Drill Size	Part #	Orifice Dia.	Drill Size	Part #	Orifice Dia.	Drill Size	Part #
Sea Level		0.136	29	9951-1361	0.154	23	9951-1541	0.161	20	9951-1611	0.180	15	9951-1801
2,000	618	0.136	29	9951-1361	0.149	25	9951-1491	0.157	22	9951-1571	0.177	16	9951-1771
3,000	914	0.128	30	9951-1281	0.149	25	9951-1491	0.157	22	9951-1571	0.173	17	9951-1731
4,000	1219	0.128	30	9951-1281	0.147	26	9951-1471	0.154	23	9951-1541	0.173	17	9951-1731
5,000	1524	0.128	30	9951-1281	0.144	27	9951-1441	0.152	24	9951-1521	0.169	18	9951-1691
6,000	1829	0.128	30	9951-1281	0.144	27	9951-1441	0.149	25	9951-1491	0.166	19	9951-1661
7,000	2134	0.120	31	9951-1201	0.140	28	9951-1401	0.147	26	9951-1471	0.161	20	9951-1611
8,000	2438	0.120	31	9951-1201	0.136	29	9951-1361	0.144	27	9951-1441	0.161	20	9951-1611
9,000	2743	0.120	31	9951-1201	0.136	29	9951-1361	0.140	28	9951-1401	0.157	22	9951-1571
10,000	3048	0.116	32	9951-1161	0.128	30	9951-1281	0.136	29	9951-1361	0.152	24	9951-1521

PROPANE GAS													
Elevation Feet	56,000 — Input				70,000 — Input			77,000 — Input			90,000 — Input		
	Meters	Orifice Dia.	Drill Size	Part #	Orifice Dia.	Drill Size	Part #	Orifice Dia.	Drill Size	Part #	Orifice Dia.	Drill Size	Part #
Sea Level		0.082	45	9951-0821	0.093	42	9951-0931	0.098	40	9951-0981	0.106	36	9951-1061
2,000	618	0.081	46	9951-0811	0.093	42	9951-0931	0.096	41	9951-0961	0.104	37	9951-1041
3,000	914	0.078	47	9951-0781	0.089	43	9951-0891	0.093	42	9951-0931	0.101	38	9951-1011
4,000	1219	0.078	47	9951-0781	0.089	43	9951-0891	0.093	42	9951-0931	0.101	38	9951-1011
5,000	1524	0.078	47	9951-0781	0.089	43	9951-0891	0.093	42	9951-0931	0.099	39	9951-0991
6,000	1829	0.076	48	9951-0761	0.086	44	9951-0861	0.089	43	9951-0891	0.098	40	9951-0981
7,000	2134	0.076	48	9951-0761	0.086	44	9951-0861	0.089	43	9951-0891	0.096	41	9951-0961
8,000	2438	0.073	49	9951-0731	0.082	45	9951-0821	0.086	44	9951-0861	0.096	41	9951-0961
9,000	2743	0.073	49	9951-0731	0.081	46	9951-0811	0.086	44	9951-0861	0.093	42	9951-0931
10,000	3048	0.070	50	9951-0700	0.078	47	9951-0781	0.082	45	9951-0821	0.089	43	9951-0891

MG9S/MM9E-Series Gas Furnace Orifice Information (multiple orifices per furnace):

Natural Gas		
Furnace Model	# of Burners	Part Number
MG9S060B12MP11	3	S1-02921182245
MG9S080B12MP11	4	S1-02921182245
MG9S080C16MP11	4	S1-02921182245
MG9S100C16MP11	5	S1-02921182245
MG9S100C20MP11	5	S1-02921182245
MM9E060B12MP11	3	S1-02921182245
MM9E080B12MP11	4	S1-02921182245
MM9E080C16MP11	4	S1-02921182245
MM9E080C20MP11	5	S1-02921182245
MM9E100C16MP11	5	S1-02921182245

Propane Gas		
Furnace Model	# of Burners	Part Number
MG9S060B12MP11	3	S1-02921182255
MG9S080B12MP11	4	S1-02921182255
MG9S080C16MP11	4	S1-02921182255
MG9S100C16MP11	5	S1-02921182255
MG9S100C20MP11	5	S1-02921182255
MM9E060B12MP11	3	S1-02921182255
MM9E080B12MP11	4	S1-02921182255
MM9E080C16MP11	4	S1-02921182255
MM9E080C20MP11	5	S1-02921182255
MM9E100C16MP11	5	S1-02921182255

MG9S/MM9E-Series High-Altitude (above 5000' elevation) Pressure Switches:

MM9E060 = S1-1PS3306 MM9E080 = S1-1PS3307 MM9E100 = S1-1PS3302

CMH Series

SPECIFICATIONS

- Rifled copper tubing, enhanced aluminum fins
- Immersion-tested at 500 psi, then nitrogen-pressurized and sealed
- Left-hand refrigerant and plumbing connections
- Externally mounted flowrater body with Schrader valve
- Heavy duty plastic drain pans on all models
- AHRI certifiable with certain brands of A/C and heat pump systems
- UL listed for use with both R-22 and R-410a when proper metering device is used

For the latest AHRI system matches,
please visit www.marsdeliversratings.com
or AHRIdirectory.com



MANUFACTURED HOUSING COILS



*Representative drawing only.
Some models may vary in appearance.*

TXV for 1.5 - 2.5 Ton H4TXV01

TXV for 3 - 4 Ton H4TXV02

TXV for 5 Ton H4TXV03



Warranty

Standard warranty or Extended warranty available with product registration.
See warranty document for details or visit www.marsdelivers.com

A/C MATCHES

COMFORT-AIRE/CENTURY A/C MATCHES		SEER	EER	CAPACITY	HSPF	TXV
OUTDOOR MODEL	COIL MODEL					
RSG1318S1M	CMH18/36PM1M	13.00	11.00	17600	N/A	N/A
RSG1324S1M	CMH18/36PM1M	13.00	11.00	22800	N/A	N/A
RSG1330S1M	CMH18/36PM1M	13.00	11.00	28000	N/A	N/A
RSG1336S1M	CMH18/36PM1M+TXV	13.00	10.00	33400	N/A	H4TXV02
RSG1342S1M	CMH42/48PM1M	13.00	10.50	39000	N/A	N/A
RSG1348S1M	CMH42/48PM1M	13.00	10.00	44000	N/A	N/A
RSG1418S1M	CMH18/36PM1M	14.00	12.20	18000	N/A	N/A
RSG1424S1M	CMH18/36PM1M	14.00	12.20	23000	N/A	N/A
RSG1430S1M	CMH36PM2M	14.00	12.20	28000	N/A	N/A
RSG1436S1M	CMH36PM2M	14.00	12.20	34000	N/A	N/A
RSG1418S1P	CMH18/36PM1M+TXV+TD	14	12.2	18000	N/A	H4TXV01
RSG1424S1P	CMH24/30PM1M+TD	14	12.2	23000	N/A	H4TXV01
RSG1424S1P	CMH24/30PM1M+TXV+TD	14.5	12.2	23000	N/A	H4TXV01
RSG1424S1P	CMH18/36PM1M+TD	14	12.2	23000	N/A	H4TXV01
RSG1424S1P	CMH18/36PM1M+TXV+TD	14.5	12.2	23000	N/A	H4TXV01
RSG1430S1P	CMH24/30PM1M+TXV+TD	14	12.2	28000	N/A	H4TXV01
RSG1430S1P	CMH36PM2M+TXV+TD	14.5	12.2	28000	N/A	H4TXV01
RSG1430S1P	CMH18/36PM1M+TXV+TD	14	12.2	28000	N/A	H4TXV01
RSG1436S1P	CMH36PM2M+TXV+TD	14.5	12.2	34000	N/A	H4TXV02
RSG1442S1P	CMH42/48PM2M+TXV+TD	14	12.2	40000	N/A	H4TXV02
RSG1448S1P	CMH48PM2M+TXV+TD	14	12	45500	N/A	H4TXV02

†(In reference to coil model number) NOTE: 21" coil for use in EB/EBE-Series downflow application W 3500-8602 cabinet extension.
Not for use in DGAA/DGAX-Series gas furnace.



HP MATCHES

COMFORT-AIRE/CENTURY HP MATCHES		SEER	EER	CAPACITY	HSPF	TXV
OUTDOOR MODEL	COIL MODEL					
HRG1418S1M	CMH18/36PM1M+TXV	14	12.2	18000	8.2	H4TXV01
HRG1424S1M	CMH24/30PM1M	14	12	23400	8.2	N/A
HRG1430S1M	CMH24/30PM1M+TXV	14	12	28600	8.2	H4TXV01
HRG1436S1M	CMH36PM2M+TXV	14	12.2	34000	8.2	H4TXV02
HRG1442S1M	†CMH48PM2M+TXV	14	11	40000	8.5	H4TXV02
HRG1418S1P	CMH18/36PM1M+TXV+TD	14	12.2	15700	8.2	H4TXV01
HRG1424S1P	CMH18/36PM1M+TXV+TD	14	12.2	18000	8.5	H4TXV01
HRG1424S1P	CMH24/30PM1M+TXV+TD	14	12.2	20600	8.5	H4TXV01
HRG1430S1P	CMH18/36PM1M+TXV+TD	14	12	26400	8.5	H4TXV01
HRG1430S1P	CMH24/30PM1M+TXV+TD	14	12	26400	8.5	H4TXV01
HRG1436S1P	CMH36PM2M+TXV+TD	14	11.7	30200	8.2	H4TXV02
HRG1442S1P	CMH42/48PM2M+TXV+TD	14.5	12	37400	8.5	H4TXV02
HRG1448S1P	CMH48PM2M+TXV+TD	15	12.2	40000	8.2	H4TXV02

†(In reference to coil model number) NOTE: 21" coil for use in EB/EBE-Series downflow application W 3500-8602 cabinet extension. Not for use in DGAA/DGAX-Series gas furnace.



For the latest AHRI system matches,
 please visit www.marsdeliversratings.com
 or AHRIdirectory.com

Manufactured Housing

DIMENSIONS

Coil Model	Nominal Tonnage	Dimensions			Weight	Pallet Qty	R-22 Piston
		Pan Widths (W)"	Pan Depth (D)"	Coil Height (H)"			
CMH18/36PM1M	1.5 - 3	18"	19-1/2"	17"	32	8	0.067
CMH24/30PM1M	2 - 2.5	18"	19-1/2"	19"	35	8	0.059
CMH36PM2M	2.5 - 3	18"	19-1/2"	19"	45	8	0.067
CMH42/48PM1M	3.5 - 4	18"	19-1/2"	19"	35	8	0.076
CMH42/48PM2M	3.5 - 4	18"	19-1/2"	19"	45	8	0.076
CMH48PM2M	3.5 - 4	18"	19-1/2"	21" [†]	48	4	0.076

[†](In reference to coil model number) NOTE: 21" coil for use in EB/EBE-Series downflow application W 3500-8602 cabinet extension.
Not for use in DGAA/DGAX-Series gas furnace.

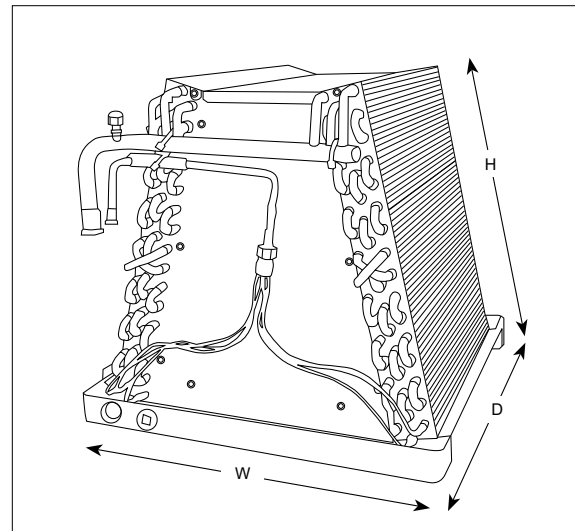
SERVICE COIL DIMENSIONS

Coil Model	Nominal Tonnage	Dimensions			Weight	Pallet Qty	R-22 Piston
		Pan Widths (W)"	Pan Depth (D)"	Coil Height (H)"			
CMH18/24PM3M	1.5 - 2	18"	19.5"	11"	22	8	0.053
CMH36PM3M	3	18"	19.5"	15"	28	8	0.073
CMH42/60PM3M	3.5 - 5	18"	19.5"	19"	45	8	*0.093

Coils are shipped with R-410A pistons already installed. *Same Piston is used for R-22 and R-410A
These are Replacement Service Coils "Only" and are not RATED. For Manufactured Housing Use Only

PISTONS

Description	Piston Size	Part Number	Tonnage Outdoor Unit
R-22 Pistons	41	176799941	12
	53	176799953	18
	59	176799959	24
	67	176799967	30
	73	176799973	36
	80	176799980	42
	84	176799984	48
R-410A Pistons	93	176799993	60
	41	176799941	12
	49	176799949	18
	53	176799953	24
	59	176799959	30
	67	176799967	36
	73	176799973	42
	76	176799976	48
	93	176799993	60



Due to ongoing product improvements, specifications and dimensions are subject to change and correction without notice or incurring obligations. Determining the application and suitability for use of any product is the responsibility of the installer. Additionally, the installer is responsible for verifying dimensional data on the actual product prior to beginning any installation preparations. Third party incentive and rebate programs have precise requirements as to product performance and certification. All products meet applicable regulations in effect on date of manufacture; however, certifications are not necessarily granted for the life of a product. Therefore, it is the responsibility of the applicant to determine whether a specific model qualifies for these incentive/rebate programs.

"This product complies with all California product labeling laws including, but not limited to, the Safe Drinking Water and Toxic Enforcement Act of 1986, more commonly known as Proposition 65."